

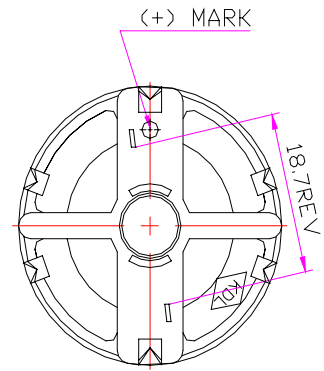
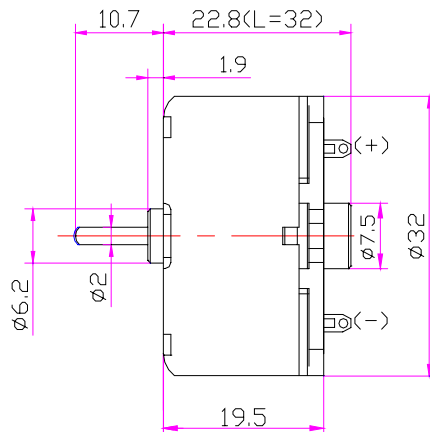
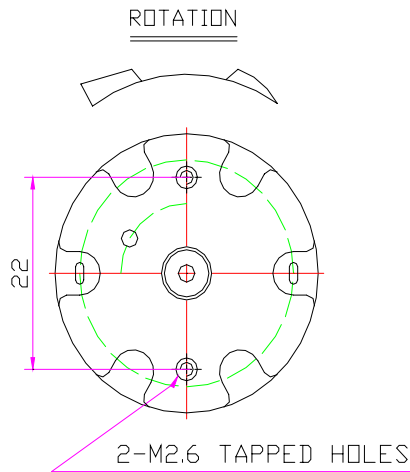


**KINDLY  
MOTOR**

Low Noise Series  
PMDC Precious Metal  
Brush Motor

**KR500 Series**

Bearings Sleeve  
Number of poles 3  
EMC Suppression Internal ring varistor  
Standard Shaft (L) 28, 30, 32, 35, 38



UNIT: MILLIMETERS

Model	Voltage		No Load		At Maximum Efficiency					Stall	
	Operating Voltage	Nominal (Constant)	Speed rpm	Current A.	Speed rpm	Current A.	Torque kg-cm	Output W	Eff. %	Torque g-cm	Current A.
KR500-18280	1.2-7.2	1.8	1600	0.028	1281	0.112	7.6	0.10	49.3	38	0.45
KR500-18280	1.2-7.2	3.0	2750	0.035	2261	0.162	12.1	0.28	57.6	68	0.75
KR500-18280	1.2-7.2	6.2	5752	0.055	4786	0.272	21.8	1.07	63.4	130	1.35
KR50S-17300	1.2-7.2	3.0	2050	0.031	1679	0.140	14.8	0.26	60.7	82	0.64
KR500-14415	1.5-6.0	3.0	1820	0.027	1400	0.900	8.2	0.13	46.6	38	0.30
KR500-14415	1.5-7.2	5.0	3100	0.027	2522	0.118	13.0	0.34	57.2	70	0.52
KR500-14415	3.0-9.0	9.0	5650	0.040	4612	0.178	20.2	0.96	59.7	110	0.79
KR500-12560	2.0-12.0	3.0	1350	0.020	1013	0.060	8.0	0.08	46.3	32	0.18
KR500-12560	2.0-12.0	6.0	2750	0.020	2213	0.082	12.1	0.28	55.5	62	0.34
KR500-12560	2.0-12.0	12.0	5550	0.028	4577	0.132	20.2	0.95	59.8	115	0.62
KR50S-11700	3.0-15.0	12.0	3520	0.020	2901	0.094	22.9	0.68	60.4	130	0.44
KR500-10840	3.0-9.0	5.0	1570	0.012	1214	0.041	7.9	0.10	48.2	35	0.14
KR500-10840	3.0-12.0	9.0	2800	0.017	2201	0.063	13.5	0.30	54.0	63	0.23
KR500-10840	3.0-15.0	12.0	3700	0.017	2979	0.700	15.2	0.46	55.1	71	0.29
KR50S-10520	4.5-13.8	12.0	4800	0.035	3833	0.139	23.2	0.91	54.7	115	0.55
KR50S-09700	6.0-15.0V	12.0	3430	0.020	2776	0.085	18.5	0.53	51.7	97	0.36
KR500-081000	6.0-15.0	12.0	3000	0.015	2313	0.050	12.4	0.29	48.4	54	0.17
KR50S-071100	6.0-24.0	24.0	4430	0.018	3507	0.068	25.0	0.9	54.8	120	0.26
General Test Tolerance			±15%								

Typical Application: Mini Fans, Gear Boxes, Air Fresheners, Solar Cell Products, Vending Machines, Precise Engines and More...

**Kindly Industrial Co., Ltd.**