



**KINDLY
MOTOR**

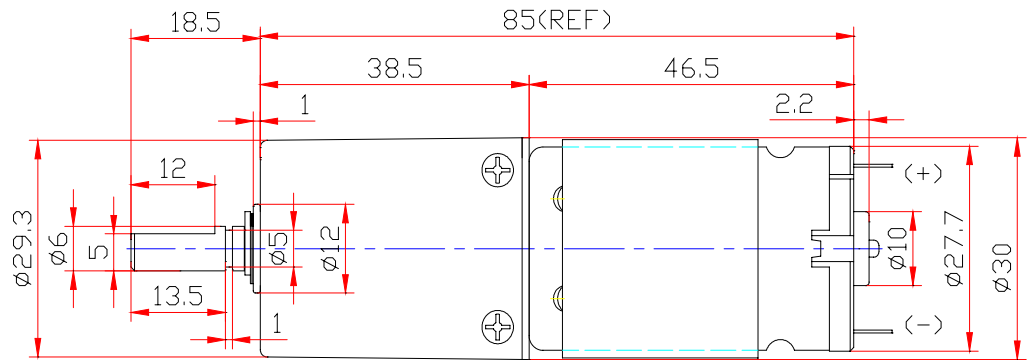
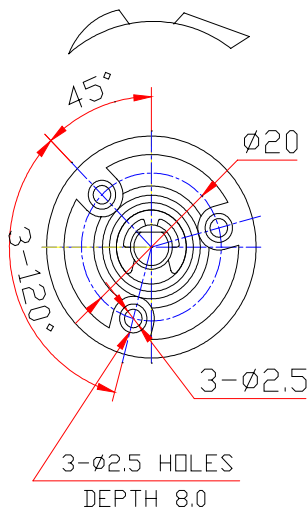
Planetary Gear Motor

KC39-30PG Series

Bearings	Sleeve
Number of poles	3 or 5 or 8
EMC Suppression	Internal Disk Varistor, Internal Capacitor (optional)
Brush Type	Carbon
Gear Type	Metal, Plastic
Gear Ratio	1:50



ROTATION (+) TO (+)



UNIT. MM



Model	Voltage		No Load		Rated Load				Stall		Max. Rated Tolerance Torque	Momentary Tolerance Torque
	Operating Voltage	Nominal (Constant)	Speed rpm	Current A.	Speed rpm	Current A.	Torque Kg-cm	Output W	Torque Kg-cm	Current A.		
KC395-30G50-17	6.0-30.0	24.0	146.0	0.125	120.0	0.585	5.00	6.15	28.0	2.7	7.5	10.0
KC395-30G50-13170	6.0-30.0	24.0	100.0	0.110	61.1	0.534	6.22	3.90	16.0	1.2	7.5	10.0
KC395-30G50-16126	6.0-30.0	24.0	133.0	0.120	93.6	0.706	6.22	5.97	21.0	2.1	7.5	10.0
KC398-30G50-1496	6.0-30.0	24.0	100.0	0.110	69.7	0.486	5.00	3.57	16.5	1.5	7.5	10.0
General Test Tolerance			±15%									

Typical Application: Vending Machines, Automation Equipments, Precision Instruments and More...