



**KINDLY  
MOTOR**

Planetary Gear Motor

**KF18-22PG Series**

Bearings            Sleeve

Number of poles    3

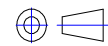
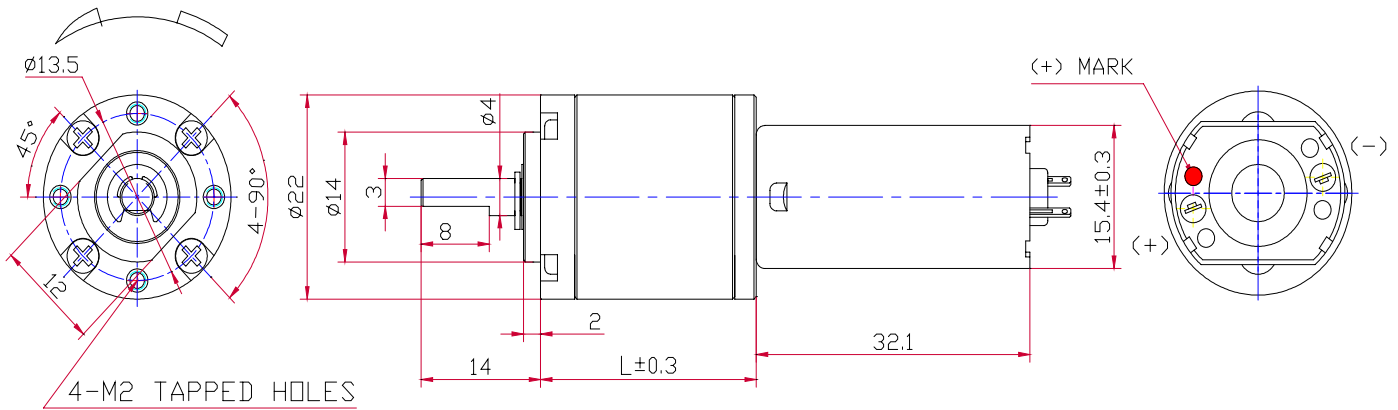
EMC Suppression   Internal Disk Varistor (optional)

Gear Type            Metal, Plastic



Gear Ratio	1:16	1:19	1:61	1:84	1:231	1:368
L	19	19	21.6	21.6	26.3	26.3

ROTATION



UNIT: MM.

Model	Voltage		No Load		Rated Load				Stall		Max. Rated Tolerance Torque Kg-cm	Momentary Tolerance Torque Kg-cm
	Operating Voltage	Nominal (Constant)	Speed rpm	Current A.	Speed rpm	Current A.	Torque Kg-cm	Output W	Torque Kg-cm	Current A.		
KFK18-22PG61-15	3.0-12.0	6.0	98.0	0.15	70.0	0.479	1.00	0.72	3.5	1.3	1.5	3.5
KFK18-22PG84-08	6.0-15.0	12.0	51.0	0.04	35.5	0.107	0.50	0.16	1.65	0.26	0.7	3.5
KFK18-22PG84-14	6.0-15.0	13.0	113.0	0.14	77.0	0.620	1.75	1.21	5.5	1.65	2.5	3.5
KFK18-22PG231-12	6.0-13.8	6.0	20.0	0.13	16.4	0.197	1.00	0.17	5.5	0.5	2	8.0
KFK18-22PG231-12	6.0-13.8	12.0	40.0	0.15	33.0	0.290	2.10	0.71	12	1.0	3	8.0
General Test Tolerance			±15%									

**Typical Application:** Vending Machines, Automation Equipments, Precision Instruments and More...

**Kindly Industrial Co., Ltd.**