



**KINDLY  
MOTOR**

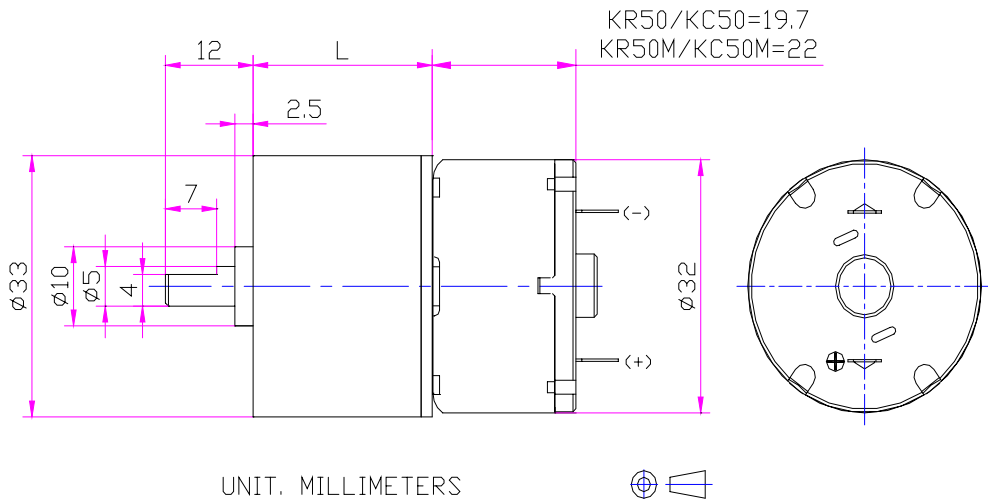
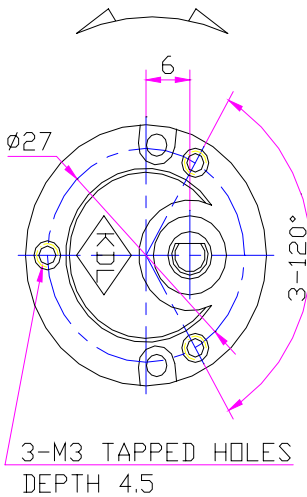
PMDC Geared Motor

**KR50/KC50-33G  
Series**

Bearings	Sleeve	Model	Gear Ratio	L	Rotation
Number of poles	3	33GA	1:1953	29	CW
EMC Suppression	Internal Disk Varistor	33GB	1:781	29	CCW
Gear Type	Metal, Plastic	33GC	1:312.5	24.5	CW
		33GD	1:125	24.5	CCW
		33GE	1:50	20	CW
		33GF	1:20	20	CCW
		33GFE	1:17.5	20	CCW
		33GFD	1:43.8	24.5	CW
		33GFC	1:109.4	24.5	CCW



ROTATION (+) TO (+)



KR50/KC50=19.7  
KR50M/KC50M=22

**KR50 is with precious metal brushes. KC50 is with carbon brushes.**

Model	Voltage		No Load		Rated Load				Stall Torque	Max. Rated Tolerance Torque	Momentary Tolerance Torque
	Operating Voltage	Nominal (Constant)	Speed rpm	Current A.	Speed rpm	Current A.	Torque kg-cm	Output W			
KC50M-33GE-12	9.0-30.0	24.0	133.0	0.035	94.0	0.304	2.50	2.410	8.50	3.5	15.0
KC50M-33GD-08	9.0-30.0	24.0	29.5	0.022	22.0	0.090	2.50	0.570	10.00	3.5	15.0
KR50-33GA-07	9.0-24.0	12.0	1.5	0.015	1.3	0.033	3.00	0.040	22.00	5.0	15.0
KC50-33GB-07	6.0-30.0	24.0	7.7	0.025	7.2	0.043	2.50	0.190	40.00	5.0	15.0
KC50-33GC-10	6.0-15.0	12.0	14.2	0.035	13.0	0.065	1.00	0.130	12.00	4.0	15.0
KC50S-33GFD-12	6.0-15.0	12.0	110.0	0.060	97.6	0.140	0.45	0.690	4.00	1.5	10.0
KC50-33GD-12	6.0-13.8	13.6	50.0	0.060	42.5	0.171	1.50	0.650	10.00	3.5	15.0
KC50S-33GD-08	9.0-28.0	24.0	42.5	0.030	35.8	0.088	1.50	0.640	9.50	3.5	15.0
KR50S-33GD-08	6.0-15.0	12.0	20.7	0.020	16.4	0.060	1.00	0.170	4.80	2.0	10.0
KR50S-33GFD-09	6.0-15.0	12.0	76.5	0.030	62.8	0.084	0.50	0.320	2.80	1.5	10.0
General Test Tolerance			±15%								

**Typical Application:** Vending Machines, Automation Equipments, Precision Instruments and More...