



**KINDLY
MOTOR**

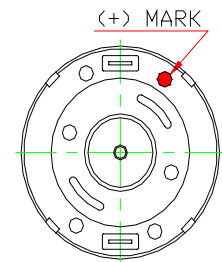
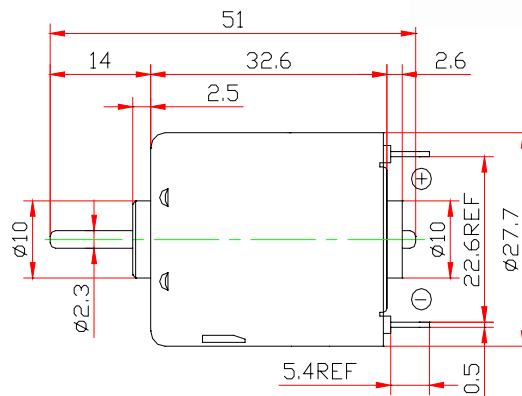
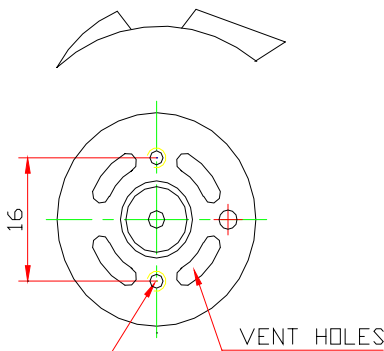
PMDC Carbon Brush
Motor

KC360 Series

Bearings Sleeve
 Number of poles 3
 Internal Disk Varistor, Internal Capacitor
 EMC Suppression (optional)
 Standard Shaft (L) 44, 47, 51, 57, 62, 64.5, 69.5



DIRECTION OF ROTATION



UNIT: MILLIMETERS
 WEIGHT: 52g(APPORX)

KC360SH is with metal end cap. Plastic end cap also available.

Model	Voltage		No Load		At Maximum Efficiency					Stall	
	Operating Voltage	Nominal (Constant)	Speed rpm	Current A.	Speed rpm	Current A.	Torque kg-cm	Output W	Eff. %	Torque g-cm	Current A.
KC360SH-4240	2.4-7.2	6.0	19500	0.850	16019	3.912	80.33	13.200	56.2	450	18.000
KC360SH-3560	2.4-7.2	4.5	10800	0.470	8936	2.253	63.86	5.850	57.7	370	10.800
KC360SH-3560	2.4-7.2	6.0	14350	0.500	12069	2.646	76.29	9.440	59.5	480	14.000
KC360S-2885	2.4-9.6	7.2	12800	0.370	10546	1.731	72.20	7.809	62.7	410	8.100
KC360SH-25110	2.4-12.0	6.0	8300	0.250	6819	1.151	57.10	3.990	57.8	320	5.300
KC360SH-20150	2.4-12.0	6.0	5300	0.170	4221	0.665	56.84	2.030	50.8	230	2.600
KC360S-14270	3.0-30.0	12.0	6500	0.085	5196	0.339	42.73	2.277	56.0	213	1.350
KC360S-12350	4.0-30.0	12.0	5200	0.065	4047	0.228	33.27	1.381	50.5	150	0.800
KC360S-11375	4.0-30.0	10.0	3500	0.065	2644	0.201	31.80	0.860	43.0	130	0.620
KC360S-10500	6.0-30.0	24.0	7200	0.060	5682	0.224	48.51	2.830	52.5	230	0.840
KC360S-10501	6.0-30.0	24.0	3400	0.055	2506	0.154	31.03	0.798	43.1	118	0.432
KC360SH-09600	6.0-30.0	24.0	5750	0.060	4292	0.177	43.10	1.898	44.8	170	0.520
KC360S-09660	7.0-30.0	24.0	5200	0.040	4044	0.140	40.00	1.659	49.4	180	0.490
KC360S-08860	9.0-30.0	24.0	3800	0.035	2856	0.106	38.52	0.130	44.4	155	0.320
General Test Tolerance			±15%								

Typical Application: Massagers, Vending Machines, Vacuum Cleaners, Radio Control Models, Power Tools and More...