

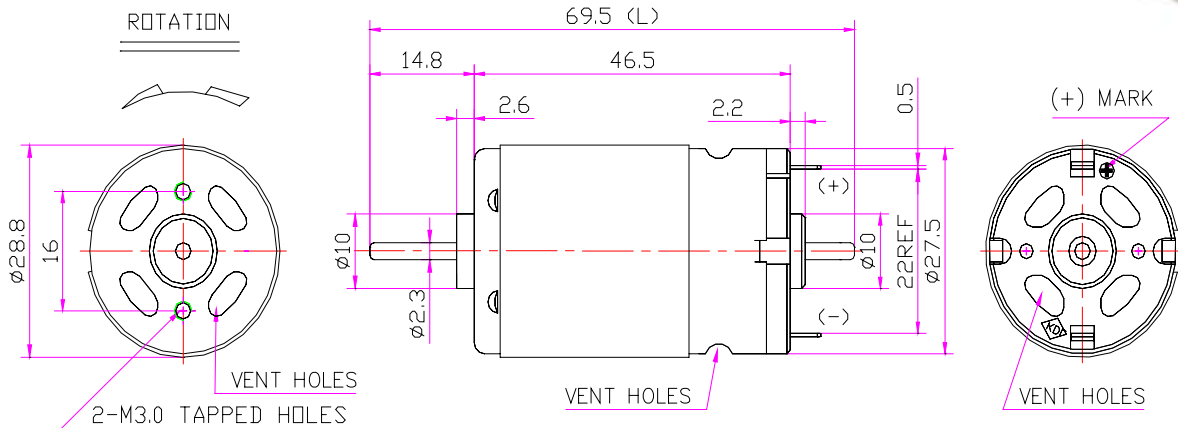


**KINDLY
MOTOR**

PMDC Carbon Brush Motor

**KC390/ KC395
Series**

Bearings Sleeve
 Number of poles KC390: 3 poles KC395: 5 poles
 EMC Suppression Internal Disk Varistor, Internal Capacitor (optional)
 Standard Shaft (L) 57, 62, 64.5, 69.5



UNIT: MILLIMETERS WEIGHT: 93g(APPROX)

KC390S/ KC390SP/ KC395S/ KC395SP with plastic end cap. Metal end cap also available.

Model	Voltage		No Load		At Maximum Efficiency					Stall	
	Operating Voltage	Nominal (Constant)	Speed rpm	Current A.	Speed rpm	Current A.	Torque kg-cm	Output W	Eff. %	Torque g-cm	Current A.
KC390SHP-4537	3.0-7.2	6.0	10670	0.480	9239	3.098	134.14	12.710	68.4	1000	20.00
KC390SHP-4045	3.0-9.0	6.0	9850	0.450	8489	2.806	118.85	10.350	61.5	860	17.50
KC390SHP-3550	3.0-12.0	6.0	9000	0.400	7611	2.191	109.92	8.580	65.3	712	12.00
KC390SHP-3168	3.0-15.0	6.0	6150	0.280	5113	1.380	97.84	5.130	62.0	580	6.80
KC390SP-18200	6.0-30.0	24.0	8500	0.085	7203	0.472	104.24	7.701	68.0	683	2.62
KC395SP-3525	3.0-12.0	6.0	8900	0.420	7472	2.198	101.08	7.750	58.7	630	11.50
KC395SHP-2171	4.5-24.0	12.0	6200	0.110	5249	0.607	84.37	4.540	62.4	550	3.35
KC395SP-1895	6.0-30.0	24.0	9870	0.100	8443	0.592	112.78	9.766	68.8	780	3.50
KC395SHP-15136	6.0-30.0	24.0	6950	0.100	5667	0.442	107.09	6.214	58.7	580	1.95
KC395SP-13180	9.0-30.0	24.0	4700	0.045	3894	0.217	78.90	3.150	60.4	460	1.05
KC395SHP-09320	9.0-30.0	24.0	2700	0.025	2095	0.087	47.04	1.010	48.6	210	0.30
General Test Tolerance			±15%								

Typical Application: Children Ride-On Cars, Vending Machines, Power Tools, Office Automation Equipments and More

...