

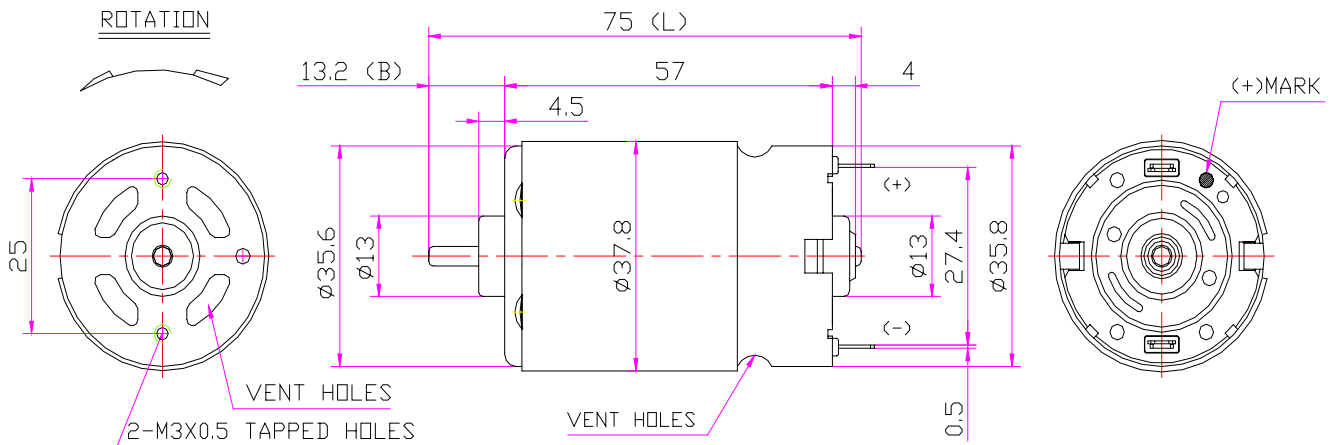


**KINDLY
MOTOR**

PMDC Carbon Brush Motor

KC555 Series

Bearings Sleeve (Ball Bearing optional)
 Number of poles 5
 EMC Suppression Internal Disk Varistor, Internal Capacitor (optional)
 Standard Shaft (L) 67, 70, 72.4, 77, 82, 85, 102.5



KC555SH with metal end. Plastic end cap also available.

Model	Voltage		No Load		At Maximum Efficiency					Stall	
	Operating Voltage	Nominal (Constant)	Speed rpm	Current A.	Speed rpm	Current A.	Torque g-cm	Output W	Eff. %	Torque g-cm	Current A.
KC555SHP-4531	3.2-18.0	4.8	3500	0.400	2885	1.876	172.22	5.100	56.6	980	8.80
KC555S-4525	3.2-18.0	12.0	11800	0.500	10223	3.240	247.30	25.929	66.7	1850	21.00
KC555SH-4036	4.5-30.0	12.0	8400	0.350	7187	2.291	238.52	17.826	64.8	1800	15.00
KC555SP-3552	6.0-30.0	12.0	5300	0.230	4580	1.463	271.78	12.766	72.7	2000	9.30
KC555SP-3552	6.0-24.0	24.0	10600	0.320	9382	2.466	413.53	39.794	67.2	3600	19.00
KC555SHP-3150	6.0-24.0	12.0	5600	0.250	4780	1.458	234.23	11.480	65.6	1600	8.50
KC555SHP-3165	12.0-30.0	24.0	8800	0.210	7684	1.446	332.83	26.230	75.6	2625	9.96
KC555SH-2878	6.0-15.0	12.0	3800	0.180	3148	0.869	197.24	6.370	61.0	1150	4.15
KC555SP-2885	6.0-30.0	24.0	5500	0.125	4871	0.968	343.02	17.137	73.7	3000	7.50
KC555SHP-22130	12.0-30.0	24.0	4200	0.100	3577	0.574	237.23	8.700	63.1	1600	3.30
KC555SHP-20133	12.0-30.0	20.0	3200	0.100	2643	0.474	208.93	5.660	59.7	1200	2.25
KC555SP-18180	12.0-30.0	24.0	2800	0.050	2361	0.269	164.44	3.983	61.6	1050	1.45
General Test Tolerance			±15%								

Typical Application: Massagers, Vending Machines, Vacuum Cleaners, Radio Control Models, Power Tools and More...