



**KINDLY
MOTOR**

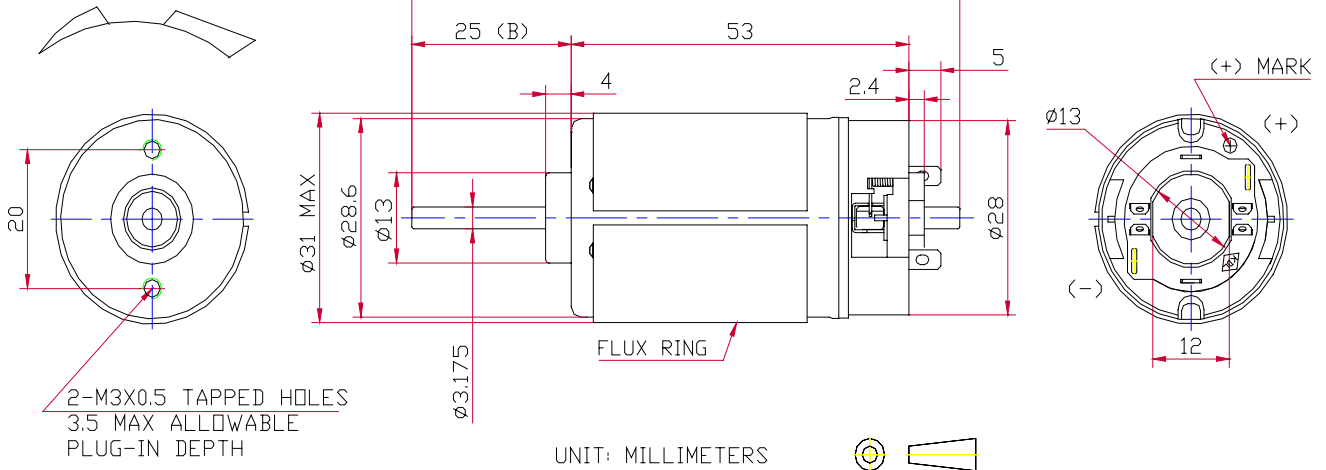
PMDC Carbon Brush Motor

KC3153 Series

- Bearings Sleeve (Ball Bearing optional)
- Number of poles 3
- EMC Suppression Internal Disk Varistor, Capacitor, PCB (optional)
- Standard Shaft (L) 67, 71, 75, 85, 86, 102.5



DIRECTION OF ROTATION



Model	Voltage		No Load		At Maximum Efficiency					Stall	
	Operating Voltage	Nominal (Constant)	Speed rpm	Current A.	Speed rpm	Current A.	Torque g-cm	Output W	Eff. %	Torque g-cm	Current A.
KC3153-3567	3.0-7.2	4.8	4100	0.410	3282	1.645	129.7	4.37	55.3	650	6.60
KC3153-3185	4.5-12.0	6.0	4000	0.300	3222	1.243	126.4	4.18	56.0	650	5.15
KC3153-28140	4.5-15.0	12.0	5850	0.210	4855	1.025	144.6	7.20	58.5	850	5.00
KC3153-24160	4.5-24.0	19.0	6780	0.200	5677	1.030	211.5	12.31	62.9	1300	5.30
KC3153-22185	4.5-24.0	12.0	4300	0.100	3662	0.574	111.2	4.18	60.6	750	3.30
KC3153-20210	6.0-24.0	12.0	3200	0.133	2541	0.513	130.1	3.39	55.1	632	1.98
KC3153-18250	6.0-24.0	12.0	2750	0.090	2194	0.355	103.2	12.32	54.5	510	1.40
KC3153-18250	6.0-24.0	24.0	5600	0.150	4515	0.624	184.0	8.52	56.9	950	2.60
KC3153-16330	9.0-30.0	24.0	5170	0.090	4153	0.367	110.2	4.69	53.2	560	1.50
KC3153-11685	12.0-30.0	24.0	2000	0.040	1524	0.128	95.2	1.49	48.4	400	0.41
General Test Tolerance			±15%								

Typical Application: Air Pumps, Liquid Pumps, Vending Machines, Massagers and More...