

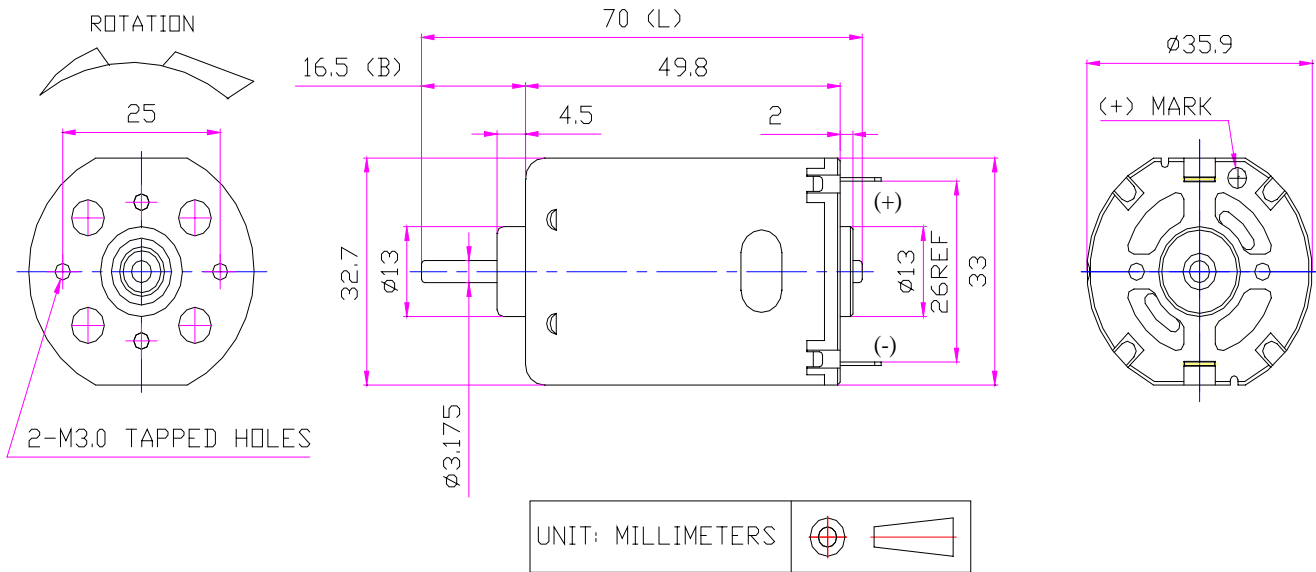


**KINDLY
MOTOR**

PMDC Carbon Brush Motor

KFC545 Series

- Bearings Sleeve (Ball B'earing optional)
- Number of poles 5
- EMC Suppression Internal Disk Varistor, Internal Capacitor (optional)
- Standard Shaft (L) 64, 67, 70, 72.4, 77, 82, 85, 102.5



Model	Voltage		No Load		At Maximum Efficiency					Stall	
	Operating Voltage	Nominal (Constant)	Speed rpm	Current A.	Speed rpm	Current A.	Torque g-cm	Output W	Eff. %	Torque g-cm	Current A.
KFC545S-2861	6.0-30.0	12.0	6100	0.200	5178	1.122	166.35	8.830	65.6	1100	6.30
KFC545S-2486	9.0-30.0	12.0	4550	0.150	3689	0.642	119.28	4.510	58.5	630	2.75
KFC545S-2486	9.0-30.0	24.0	9200	0.170	7814	0.958	195.90	15.700	68.3	1300	5.30
KFC545S-2295	9.0-30.0	24.0	8350	0.150	7096	0.849	180.27	13.120	64.4	1200	4.80
KFC545S-20150	12.0-30.0	24.0	5000	0.090	4216	0.484	172.55	7.460	64.3	1100	1.80
KFC545S-16205	18.0-33.0	24.0	3600	0.055	2976	0.262	121.37	3.700	58.9	700	1.25
KFC545S-16200	18.0-33.0	33.0	5000	0.060	4228	0.329	154.39	6.690	61.7	1000	1.80
KFC545S-15220	15.0-35.0	28.0	4250	0.050	3564	0.260	129.11	4.720	64.9	800	1.25
General Test Tolerance			±15%								

Typical Application: Massagers, Vending Machines, Coffee Machines, Radio Control Models and More...