

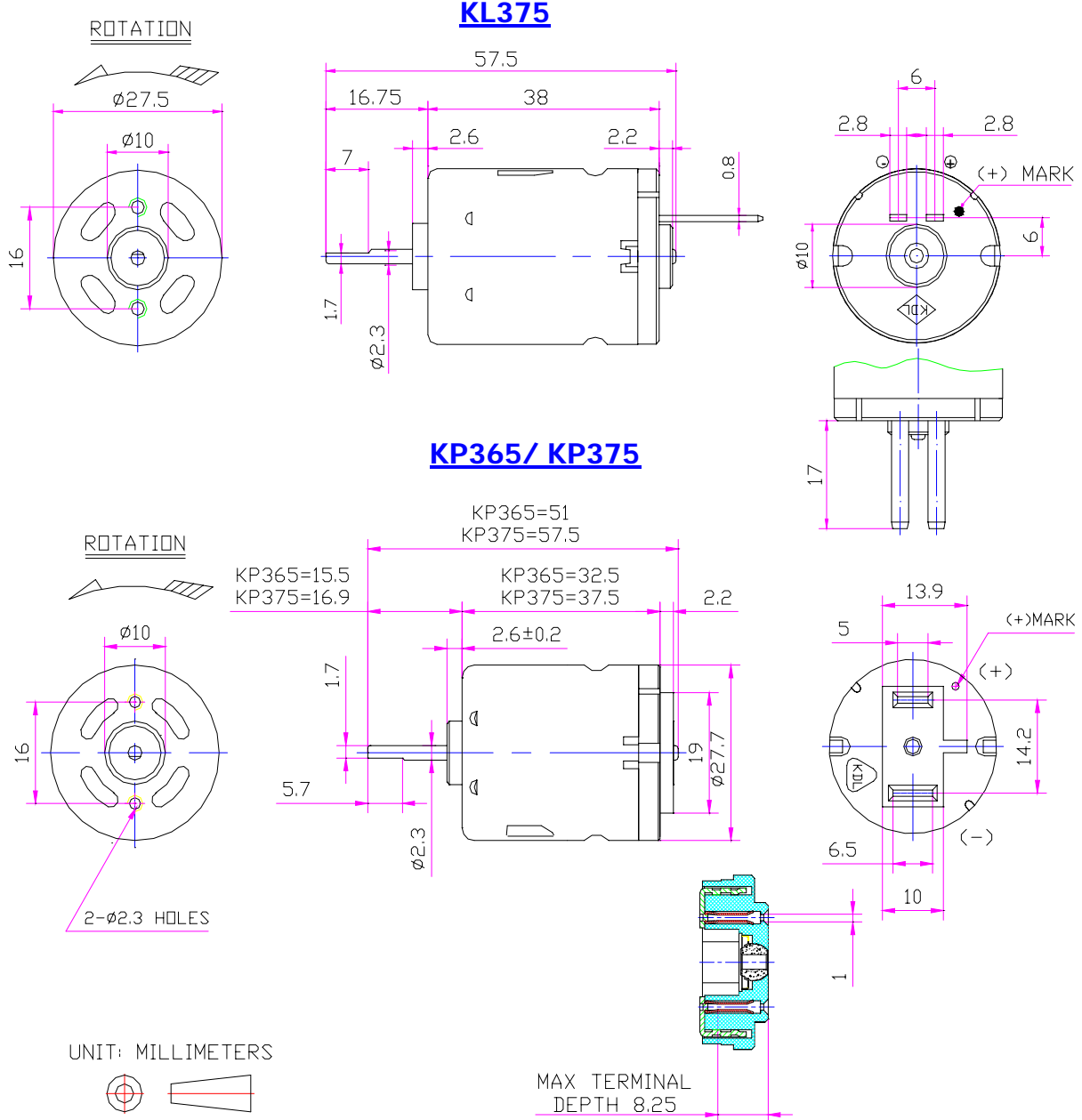


**KINDLY
MOTOR**

PMDC Carbon Brush Motor

**KL375/ KP365/
KP375 Series**

Bearings Sleeve
 Number of poles 5
 Standard Shaft (L) 51, 57.5



Model	Voltage		No Load		At Maximum Efficiency					Stall	
	Operating Voltage	Nominal (Constant)	Speed rpm	Current A.	Speed rpm	Current A.	Torque kg-cm	Output W	Eff. %	Torque g-cm	Current A.
KP365S-2842	3.0-15.0	13.0	27000	0.500	22500	2.500	85.0	19.6	60.4	510	12.5
KP365S-1980	4.0-28.8	24.0	25000	0.300	20579	1.396	97.3	20.5	61.3	550	6.5
KP375S-3134	7.5-14.8	13.0	28700	0.500	24068	2.598	85.5	21.1	62.5	530	13.5
General Test Tolerance			±15%								

Typical Application: Automotive Front Windshield Washer Pumps

Kindly Industrial Co., Ltd.